

**KEY NOTES**

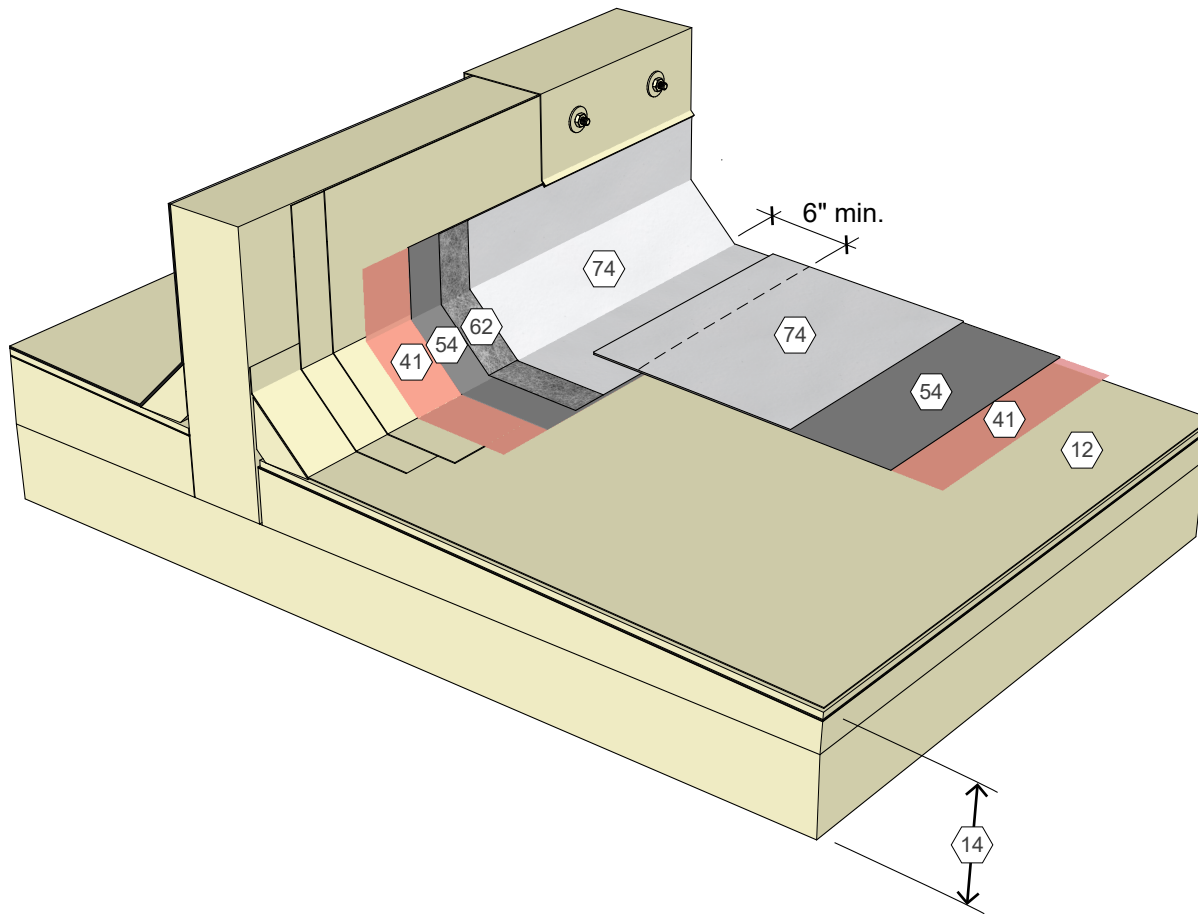
- ① Existing Single-Ply Membrane
- ② Existing Structural Deck and Insulation Assembly
- ④ Approved Primer
- ⑤ AlphaGuard Si Base Coat
- ⑥ Permafab
- ⑦ AlphaGuard Si Top Coat

AlphaGuard® Si Restoration Detail, Single-Ply, Equipment Support  
 Detail 16101



### KEY NOTES

- 12 Existing MB or Smooth BUR
- 14 Existing Structural Deck and Insulation Assembly
- 41 Approved Primer
- 54 AlphaGuard Si Base Coat
- 62 Permafab
- 74 AlphaGuard Si Top Coat



AlphaGuard® Si Restoration Detail, MB or Smooth BUR, Equipment Support  
Detail 16102